



# INSTALLATION GUIDE

## GINKGO

### Follow these steps:

1. Determine height. The height of the section should be from the floor or its distance from the ceiling.
2. Determine width. The distance of the section should be from one side of the room or the other.
3. Determine the start point. Tip – The center of the lowest row with an odd number of panels.
4. Let this row form your horizontal line. Mark with a laser, tape, or pencil.
5. Each new horizontal line for a Ginkgo row will be 25 cm above or below.
6. The distance between attachment points on the horizontal lines is 50 cm.
7. The attachment points on the horizontal lines above and below are displaced 25 cm to one side.
8. If you are using dowels, drill holes and plug. Make sure the dowel does not protrude from the wall.
9. Center a metal washer over the attachment point. Remove the backing tape and aim at the attachment point by looking through the hole in the center of the washer. Refer to item 1) Tape.
10. If you are using screws: NOTE. It is important that the head of the screw does not stand proud of the washer. This impairs the ability to adjust Ginkgo panels vertically and horizontally.

**NOTE:** To aid installation, mark out a guideline 12 cm above the Ginkgo row you plan to start with (usually the lowest or longest row) and make a center mark immediately above each attachment point. This will help you place each Ginkgo straight and at the right height in relation to the magnet. Each Ginkgo has an upper center marking. Align it with your mark on the wall.

11. Begin applying Ginkgo panels row by row – stack them onto the row below and press them against the wall. Have fun and be creative!

**NOTE:** It doesn't matter if the washers are a few millimeters off-center up or down or to the left or right. This is easily adjusted when applying individual Ginkgo panels. Keep centered above and below and allow the Ginkgo to slide.

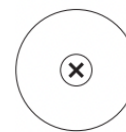
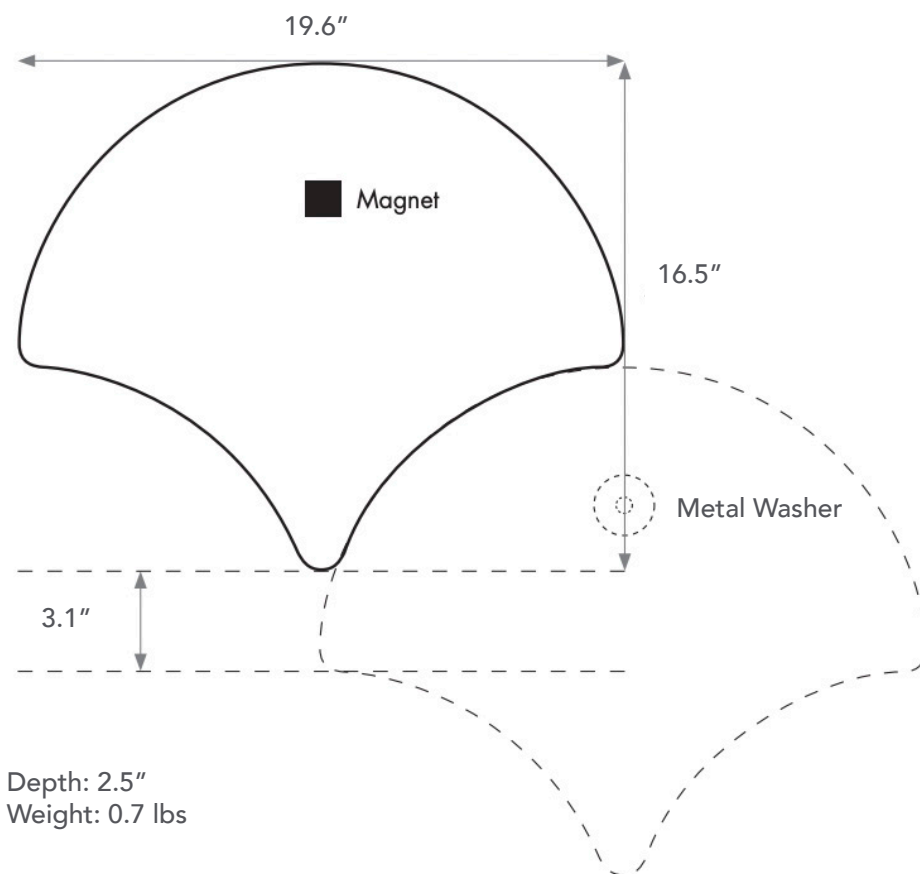
**Ginkgo is assembled with a fixed magnet on Ginkgo and a metal washer for the wall. The washer can be applied in three different ways.**

1. Tape. Remove the backing paper and press the panel firmly against the surface of the wall. Surfaces must be clean and dry for best adhesion. The ideal temperature for tape application is between 21° C and 38° C.
2. Screws. Wooden surfaces and similar: the tape can be used to affix panels before screwing. Masonry or concrete surfaces: drill holes and plug. Make sure the dowel does not protrude from the wall. The tape can be used to affix panels before screwing. The heads of screws may not stand proud of washers. This impairs adjustability.
3. Nails. The tape can be used to affix panels before screwing. Do not use nail heads that stand proud of the washer. This impairs adjustability.

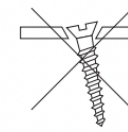
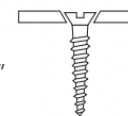
For more information on Ginkgo, visit [scandinavianspaces.com/products/ginkgo](https://scandinavianspaces.com/products/ginkgo)



# INSTALLATION GUIDE GINKGO



Dia. 0.17"





# INSTALLATION GUIDE GINKGO

